

Financial Transactions and Retail Sales - New Approach



Emerging M2M technology is broadening the type and number of business opportunities in financial service industry and retail sales. Companies are finding new ways to communicate with customers and cutting edge M2M solutions offer limitless possibilities. This new approach is based on reaching the customers in more convenient way, increasing efficiency of business and creating new revenue opportunities.



Expansive high speed cellular networks are certainly one of key factors for realization of such approach. Ongoing worldwide Implementation of HSPA+ and LTE networks will transform IoT (Internet of things) into reality. Without limitations of fixed network infrastructure it is possible to install vending machines, ATM machines, POS (Point-of-Sale) terminals or kiosks in strategically selected locations and bring the service or product closer to consumer. Apart from direct impact on revenue, this approach empowers company/financial organization to gather and process information from remote machines, seamlessly and transparently.



GENEKO GWR and GWR-I cellular router series represent product lines optimized to meet the implementation requirements of financial and retail M2M services. Enabling real-time, secure and reliable communication between device monitoring center and remote units is the primary task for GWR/GWR-I cellular router. With dedicated Remote Management and Monitoring System it is possible to monitor and control all parameters of remote GWR/GWR-I units. This enterprise graded software increases the efficiency and decreases the costs of system maintenance.



Key features

Dual SIM and Failover Options

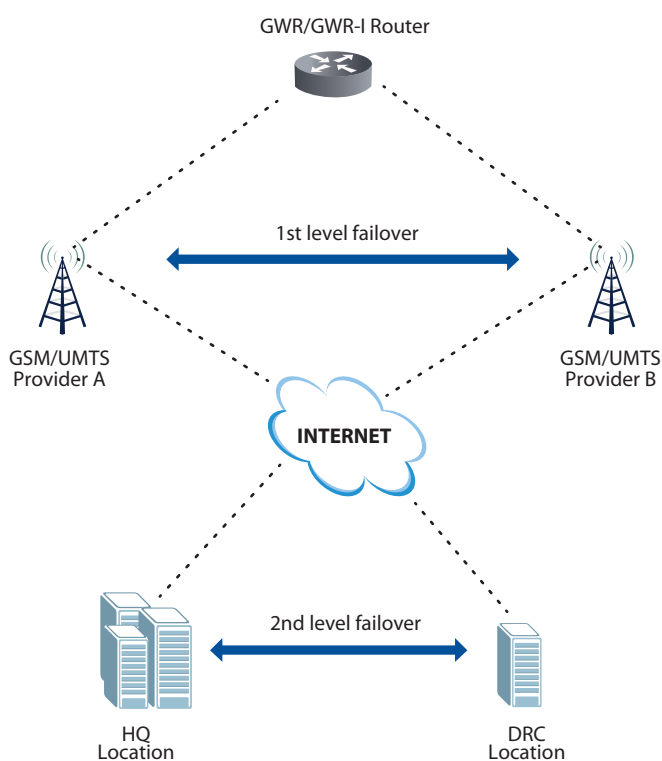
Downtime of an ATM machine or vending machine caused by failure of cellular network always results in customer dissatisfaction and certainly impacts the company image. Dual SIM card support increases the reliability of the router and provides a solution for those applications where failure of one cellular network must not result in system downtime. Automatic failover feature will detect the failure of primary connection and automatically switch to alternative connection. When the connectivity over primary connection is restored GWR/GWR-I router can perform switchover to primary connection or stay connected on alternative cellular network (depending on applied failover settings).

Advanced WAN settings

Complete set of advanced WAN settings allow a user to specify desired parameters in order to meet the requirements of specific cellular network. GWR/GWR-I routers proved themselves to be reliable and high performance devices in so many countries around the world. All advanced parameters included represent the result of detailed analysis of large number of different cellular networks. In few simple steps it is possible to optimize the performance of the router on almost any cellular network.

DRC (Disaster Recovery Center) feature

This powerful feature is specially designed for HIGH AVAILABILITY applications like financial transactions (ATMs, vending machines...). Here is a typical topology used for such applications:



In case that primary operating center becomes unavailable for some reason (due to system failure or natural disasters such as flood, fire, earthquake, tornado or windstorm) remote GWR/GWR-I router(s) will automatically detect the failure of central side and perform failover in order to send data on alternative (secondary) location (through defined IPsec tunnel). When primary central location is up and running again router will automatically switch over to corresponding IPsec tunnel.

iUPS feature

It is a common practice to install UPS (Uninterruptible Power Supply) along with ATM or vending machine and thus address the problem of power outage on remote locations. iUPS feature implemented in GWR/GWR-I cellular routers enables monitoring and control of remote UPS units over router's serial port.



RMMS

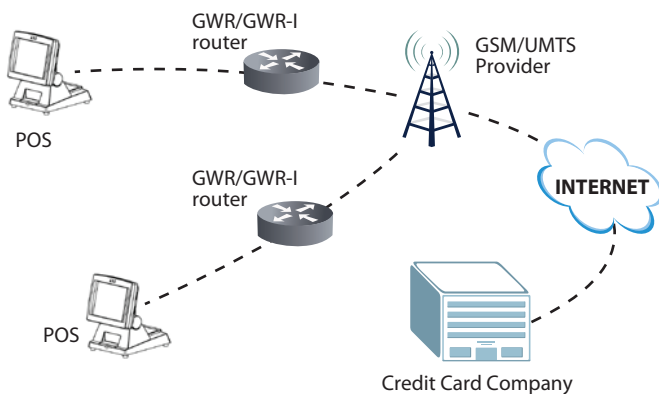
GWR/GWR-I Remote Management and Monitoring System represents an enterprise class application designed to provide central platform for management and monitoring of large groups of remote GWR/GWR-I units. The personnel of NOC (Network Operations Center) is now able to monitor all critical parameters of remote units, perform configuration, upgrade the firmware, analyze the system log, create statistical reports and much more. Multiple security mechanisms are implemented in order to prevent unauthorized access to central platform and remote units. One NOC professional can be authorized to monitor and control one or more groups of remote units. Those groups are created and assigned by the enterprise administrator. The system continuously monitors remote units and in case that one or more devices become unreachable, system alarms the administrator (group and/or enterprise). The administrator can select the desired type of alarm for those situations. Configuration and upgrade of remote units is now a very easy task thanks to GWR Remote Management and Monitoring System. Group administrator can deploy desired configuration file or new firmware version to multiple units or groups of units at the same time. Over the air upgrade and configuration certainly significantly eliminates the costs of system maintenance.

Advanced reporting tools allow the administrator to create custom reports and graphics related to device availability, performance and exceptions. Analysis of those reports and graphics can result in optimization of the complete system.

Application scenarios

Scenario: POINT-OF-SALE

Targeted Customers: mobile retail shops and bank offices, retail shops without wired infrastructure

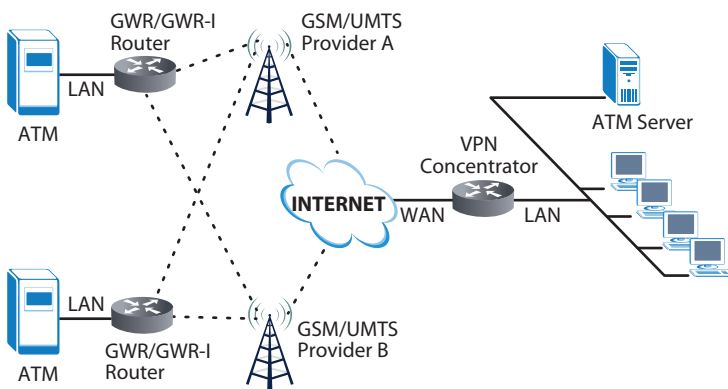


Key Benefits:

- No need for wired infrastructure
- Easy installation and monitoring
- Secure credit card transactions (VPN tunnel is used)
- Cost-effective solution

Scenario: ATMs or Vending machines

Targeted Customers: banking system integrators, vending machine operators

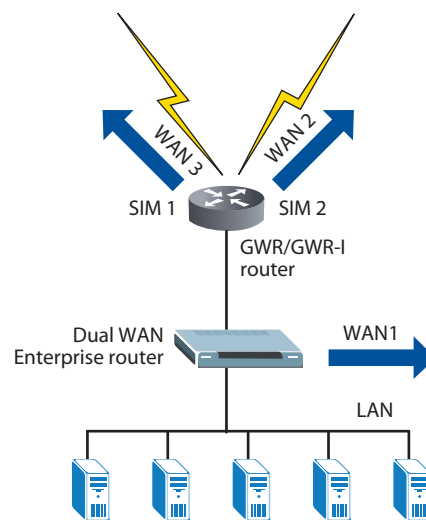


Key Benefits:

- No need for wired infrastructure
- Easy installation and relocation
- Secure communication over VPN tunnels
- High availability solution (DRC feature)
- Support for UPS control and monitoring
- Remote administration and monitoring of large groups of remote GWR/GWR-I units
- Cost-effective solution

Scenario: Backup solution for primary wired connection

Targeted Customers: retail shops and bank offices with primary wired connection



Key Benefits:

- Triple internet connection redundancy (wired connection, GSM network 1, GSM network 2)
- Easy installation and monitoring
- Cost-effective solution

There are numerous variations of each specified application scenario. Therefore GENEKO formed highly dedicated, top rated support team that can help you analyze your requirements and existing system, chose the right topology for your new system, perform initial configuration and tests and monitor the complete system after installation. Enhance your system performance and speed up the ROI with high quality cellular routers and all relevant knowledge of GWR support team behind you.

CONTACT US

Geneko Sales Team
e-mail: gwrsales@geneko.rs

Geneko Support Team
e-mail: gwrsupport@geneko.rs

Bul. Despota Stefana 59a
11000 Belgrade • Serbia

Phone: +381 11 3340-591, 3340-178
Fax: +381 11 3224-437

www.geneko.rs